

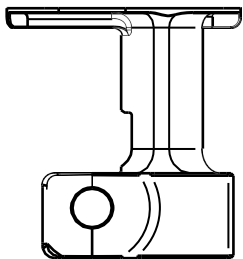
ugo[®]

Thermal Camera Option

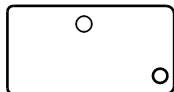
Assembly & Installation Guide



◆ Contents



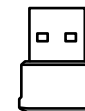
Thermal Camera Mounter
x1



Camera Cap
x1

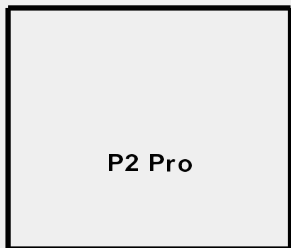


M4 Tapping Screw
x4

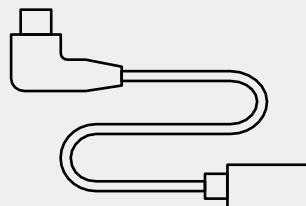


USB Type-C to A
Adapter
x1

◆ P2 Pro Thermal camera included



P2 Pro Thermal Camera
x1



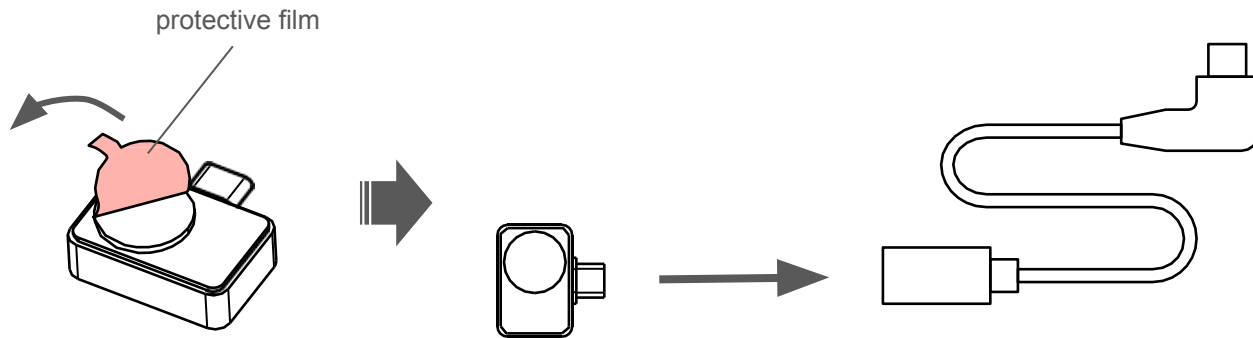
USB Type-C to C
Extension Cable
x1



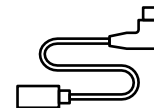
Installation Guide
x1

◇ Thermal Camera Assembly Procedure

①



P2 Pro
thermal camera

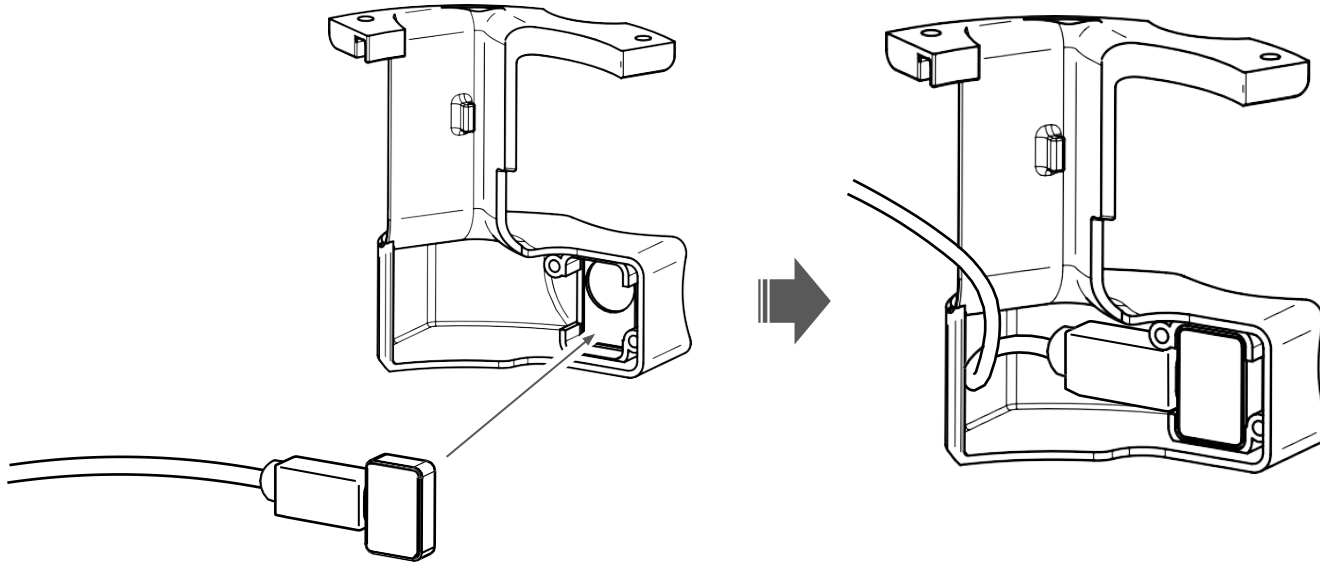


USB Type-C to C
extension cable

Peel off the protective film stuck to the lens of the thermal camera body.
Connect camera to the included USB Type-C to C extension cable.

◆ Thermal Camera Assembly Procedure

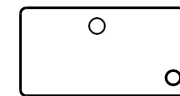
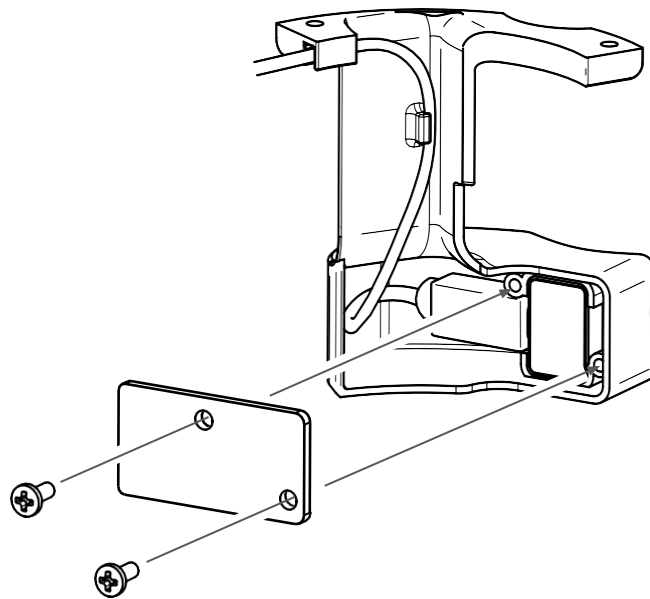
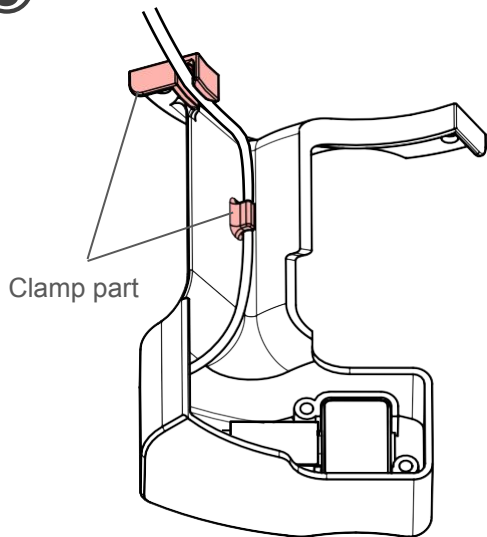
②



Insert the thermal camera with the cable connected from the rear of the thermal camera mount in the direction shown in the illustration.

◇ Thermal Camera Assembly Procedure

③



camera cap



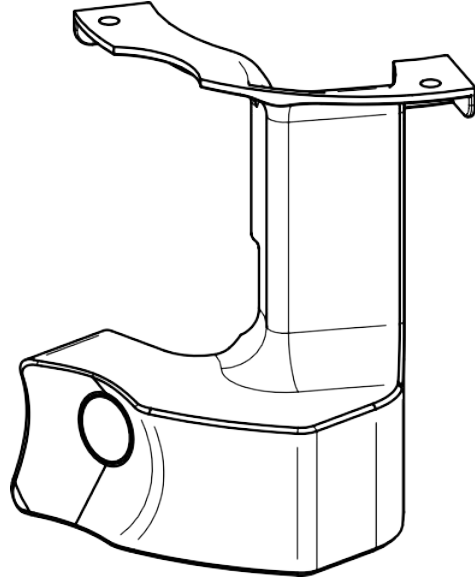
M4 tapping screw

Pass the cable through the clamp and attach the camera cap to the thermal camera mount.

Secure from the rear with two M4 tapping screws.

◆ Thermal Camera Assembly Procedure

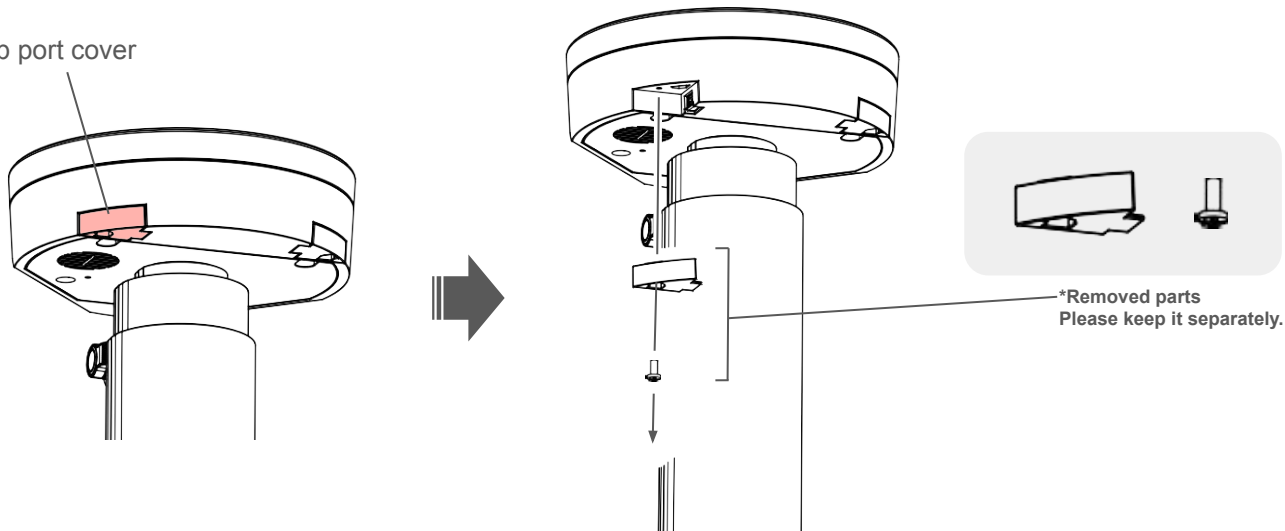
④ Complete



◇ mini Body Installation Procedure

①

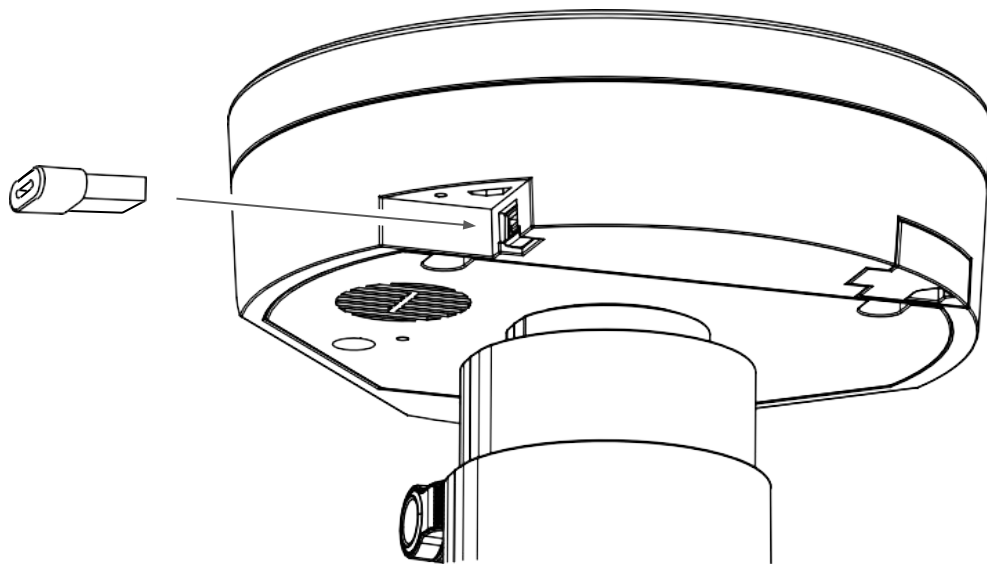
usb port cover



Loosen the screw and remove the USB port cover on the rear left side of the top case.

◇ mini Body Installation Procedure

②

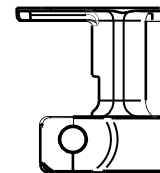
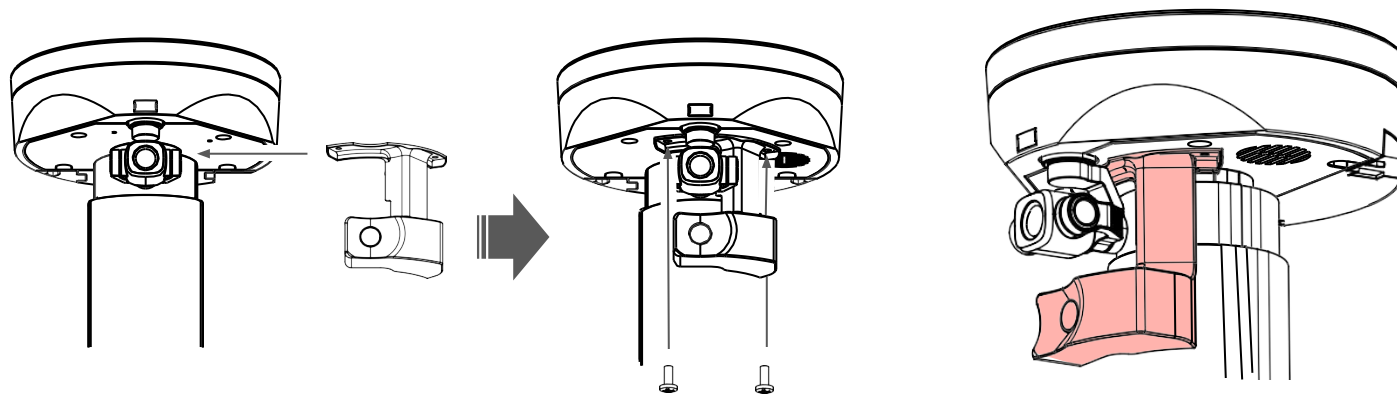


USB Type-C to A
conversion connector

Connect the USB Type-C to A conversion connector to the USB port.

◇ mini Body Installation Procedure

③



thermal camera
option



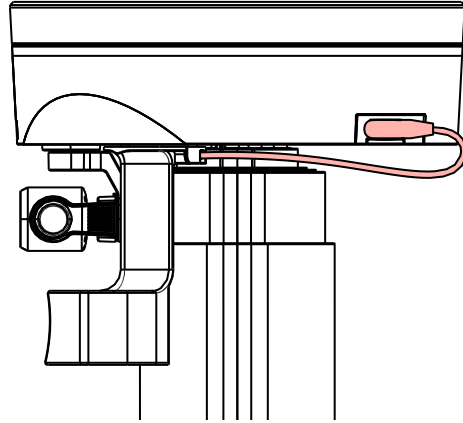
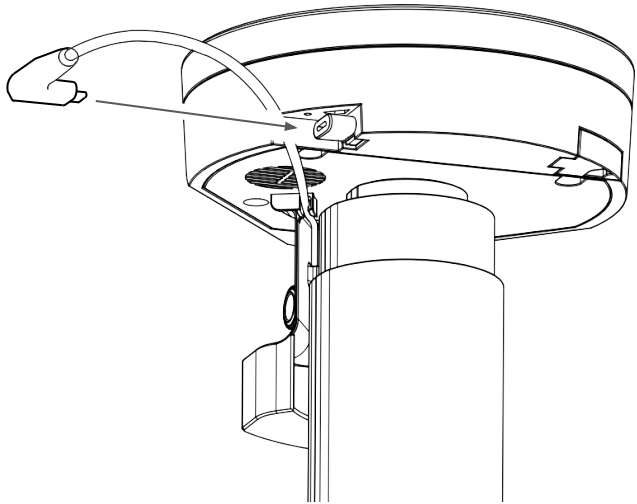
M4 tapping screw

Place the assembled thermal camera option behind the gimbal on the bottom of the top case.

Align with the screw holes on the back of the camera and secure with two M4 tapping screws.

◇ mini Body Installation Procedure

④



Connect the USB Type-C to C extension cable that extends from the thermal camera. Connect the USB port in the direction in which the cable is routed toward the rear of the top case as shown in the diagram. Connect to the conversion connector.



◇ mini Body Installation Procedure

⑤ Complete

